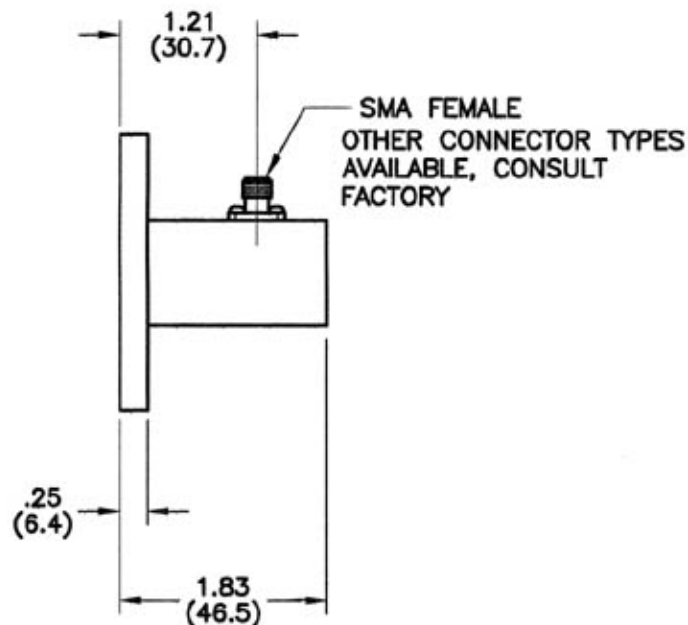
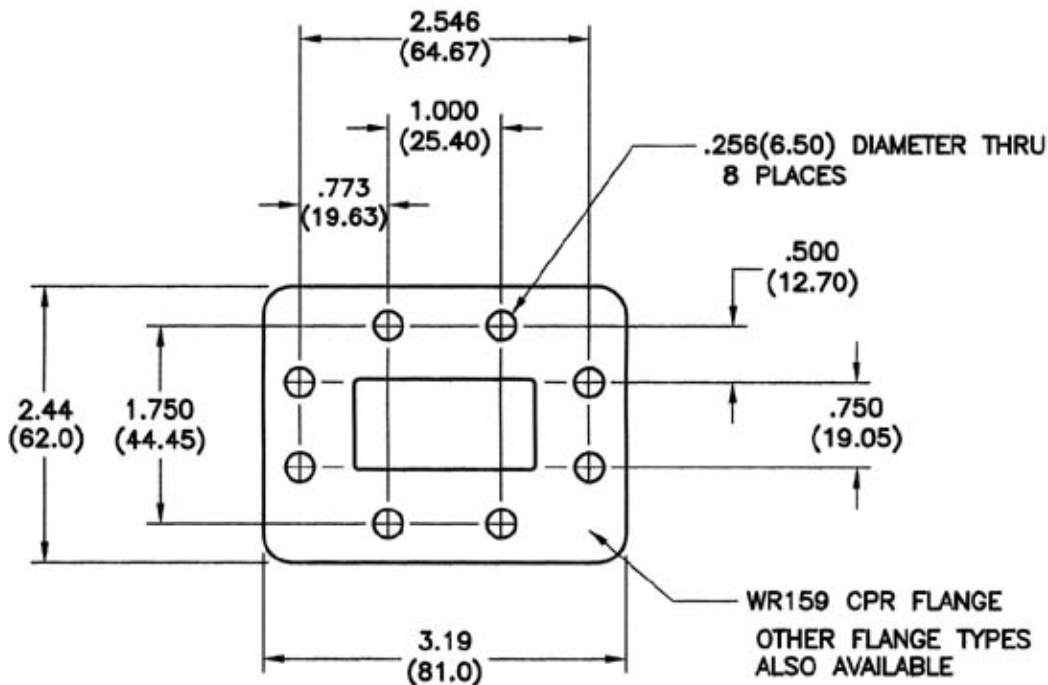


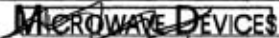
REVISIONS				
REV	ZONE	DESCRIPTION	DATE	BY ECO



### SPECIFICATIONS

FREQUENCY RANGE: 4.90 TO 7.05 GHz  
 INSERTION LOSS: 0.18 dB MAX.  
 VSWR: 1.15:1 NOM., 1.25:1 MAX. (ENTIRE BAND)  
 POWER RATING: 50 W. AVG., 3.0 KW PEAK  
 CONNECTOR: SMA FEMALE  
 MATERIAL: ALUMINUM, STD. - BRASS OR COPPER AVAILABLE  
 FINISH: YELLOW CHROMATE (IRIDITE) PAINTED FINISHES AVAILABLE

DIMENSIONS: (INCHES  
(MILLIMETERS))

TOLERANCES		THE INFORMATION CONTAINED IN THIS DOCUMENT IS THE PROPERTY OF MICROWAVE DEVICES, INC. AND IS PROPRIETARY. IT IS NOT TO BE COPIED OR USED FOR ANY PURPOSE OTHER THAN AS INSTRUCTED, IN WRITING, BY MICROWAVE DEVICES, INC.	 <small>(If not otherwise specified)</small>	
DEC.XI ± .03	FRAC ±		<b>ADAPTER, WAVEGUIDE TO COAX, WA159-SF-CPR</b>	
.XXX ± .010	ANG ±			
MATERIAL		SIGNATURES		DATE
FINISH		DR	G.V. Cothran	B-11-08
		CHK		
		APPD		
		APPD		
		CAGE	60674	SIZE
			B	DRAWING NO.
				900808
		DRAWING SCALE		1=1
				SHEET 1 OF 1

CONTACT: MICROWAVE DEVICES - 1150 N. GRAHAM RD. FRANKLIN, IN 46131  
(317) 736-6833

DIMENSIONS ARE IN INCHES UNLESS OTHERWISE SPECIFIED.